

# High Capacity Hydraulic Tank Bundle

7050-Series Self-Propelled Forage Harvester

RC042078



## Operator's Manual

Includes installation, repair parts and safety instructions for the high capacity hydraulic tank bundle.



Retain this document for future reference.

For machines NOT equipped with Pro-Drive option, see Page 3 for additional parts to order through the John Deere parts system.

RCI Engineering LLC  
RC042079 (25FEB09)  
[www.RCIengineering.com](http://www.RCIengineering.com)

RCI Engineering LLC  
New Attachments For Agricultural Equipment  
Warranty Statement

RCI Engineering LLC, hereinafter referred to as RCI, warrants new RCI attachments, to the Original Retail Purchaser to be free from defects in material and workmanship for a period of one (1) year from the Date of Sale.

RCI Warranty Includes:

Genuine RCI parts costs required to repair or replace equipment at the selling dealer's business location.

---

RCI MAKES NO REPRESENTATIONS OR WARRANTIES OF ANY KIND, EXPRESSED OR IMPLIED (INCLUDING THE IMPLIED WARRANTIES OF MERCHANTABILITY AND FITNESS FOR PARTICULAR PURPOSE), EXCEPT AS EXPRESSLY STATED IN THIS WARRANTY STATEMENT.

---

RCI WARRANTY DOES NOT INCLUDE:

1. Transportation to the selling dealer's business location or, at the option of the Original Retail Purchaser, the cost of a service call.
2. Freight costs above standard shipping costs for the replacement parts.
3. Labor to make the repair or installation of the failed component.
4. Used equipment.
5. Components covered by their own non-RCI warranties, such as tires and trade accessories.
6. Repairs or adjustments caused by: improper use; non-intended use; failure to follow recommended maintenance procedures; use of unauthorized attachments; accident or other casualty.
7. Liability for incidental or consequential damages of any type, including, but not limited to lost profits or expenses of acquiring replacement equipment or damage to machines to which the attachment is installed.

No agent, employee, or representative of RCI has any authority to bind RCI to any warranty except as specifically set forth herein. Any of these limitations excluded by local law shall be deemed deleted from this warranty; all other terms will continue to apply.

# High Capacity Hydraulic Tank Bundle

## Intended Use:

This product is intended for use only with John Deere 7050-Series Self-Propelled Forage Harvesters to allow direct cut operations of small grains. The bundle features a larger-capacity hydraulic tank (increase of approximately 4.5 gallons).

**IMPORTANT:** This bundle is complete for machines equipped with the John Deere Pro-Drive System (powered rear axle option). For machines not equipped with this option, also order the following from your local John Deere dealer through the John Deere parts system:

|       |         |                 |
|-------|---------|-----------------|
| Qty 1 | AZ72095 | Neck, Filler    |
| Qty 1 | TY22471 | Clamp, Hose     |
| Qty 1 | Z82141  | Hose, Hydraulic |
| Qty 1 | AZ72115 | Line            |

**IMPORTANT:** Follow all safety guidelines and precautions as indicated in the 7050-Series SPFH Operator Manual.

## Table of Contents

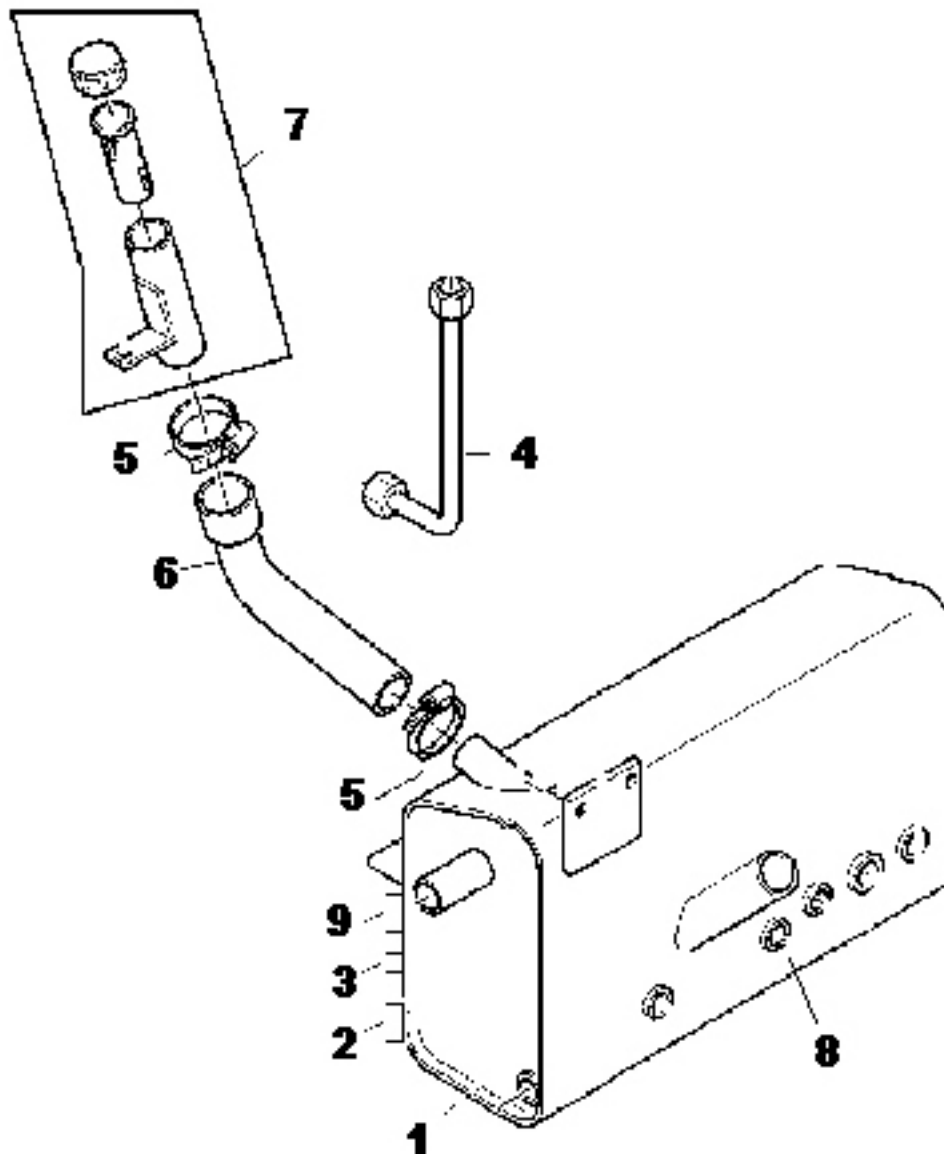
|     |                                      |        |
|-----|--------------------------------------|--------|
|     | Warranty.....                        | Page 2 |
|     | Intended Use.....                    | Page 3 |
|     | Table of Contents.....               | Page 3 |
| 1.0 | Parts Listing.....                   | Page 4 |
| 2.0 | Installation Instructions.....       | Page 5 |
| 2.1 | Hydraulic Reservoir Replacement..... | Page 5 |

## 1.0 Parts Listing

The following pages include information regarding parts for the high capacity hydraulic tank bundle.

All parts are available from your local John Deere dealer.

Attention: Dealer - Contact RCI directly for all part orders for this bundle. In general, any part painted black is an RCI part. Any part painted green is a John Deere part.



|       |          |                   |       |                                   |
|-------|----------|-------------------|-------|-----------------------------------|
| Key 1 | RC042046 | Tank              | Key 5 | TY22471 Clamp (Deere Part, qty 1) |
| Key 2 | RC042051 | Plug (-6)         | Key 6 | Z82141 Hose (Deere Part)          |
| Key 3 | RC042052 | Plug (-8)         | Key 7 | AZ72095 Filler, Neck (Deere Part) |
| Key 4 | AZ72115  | Line (Deere Part) | Key 8 | RC042081 Plug (-12)               |
|       |          |                   | Key 9 | RC042080 Plug (-20)               |

Note: Part numbers beginning with letters "RC" are supplied through RCI. All others through the John Deere parts system.

## 2.0 Installation Instructions

### 2.1 Hydraulic Reservoir Replacement.

Drain and remove the hydraulic tank from the machine. Mark all hoses for installation in new tank upon completion of the change of tank

Note: Machines not equipped with the Pro Drive Transmission require the installation of a fill tube and return line from the filter to the tank. See parts diagram for component location information regarding the fill tank.

Note: Machines not equipped with the Pro Drive Transmission will require the installation of two plugs at the rear side of the tank. Plugs are included with the bundle. See Figure 1.

Reuse one hose clamp from production tank for installation of new fill neck on non-Pro Drive machines.

Transfer all fittings from original tank to the new tank. Take care to remove all plugs and prevent trash from entering the new tank.

All tanks require the installation of two additional plugs. See Figure 1 for one plug location. Other plug is on fourth port from LH side of the machine, ORB Plug of -20 size.

Install new hydraulic tank and all hydraulic lines. Inspect hose routings and adjust as necessary to prevent hoses rubbing on other components.

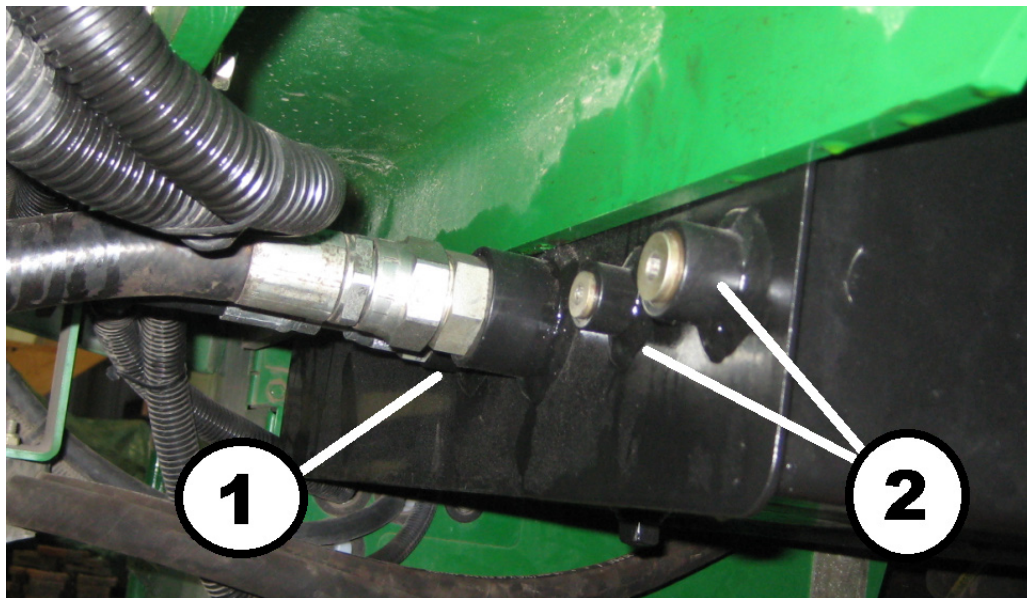


Figure 1. Tank Installation  
Key 1 - Furthest port, plug installation  
Key 2 - Plugs for Machines Without Pro-Drive Transmissions