

Cutting Platform Adapter Bundle



Operator Manual

Includes installation, operating, adjustment, maintenance, technical, repair parts and safety instructions for the cutting platform adapter bundle.

This bundle replaces John Deere bundle BZ13724.

Please retain this document for future reference.

7000 Series forage harvesters with IVT Transmission

If adapting to 1-1/4-in. 600C Corn Head drivelines, also order H237117 through Deere Parts.

A dealer fabricated wiring harness is necessary between the SPFH side of the multi-coupler and the SPFH lighting connector located near the IVLOC.

RCI Engineering LLC
RC042087 (10Jan12)
www.RCIengineering.com

RCI Engineering LLC

New Attachments for Agricultural Equipment

Warranty Statement

RCI Engineering LLC, hereinafter referred to as RCI, warrants new RCI attachments, to the Original Retail Purchaser to be free from defects in material and workmanship for a period of one (1) year from the date of sale.

RCI warranty includes:

Genuine RCI parts costs required to repair or replace equipment at the selling dealer's business location.

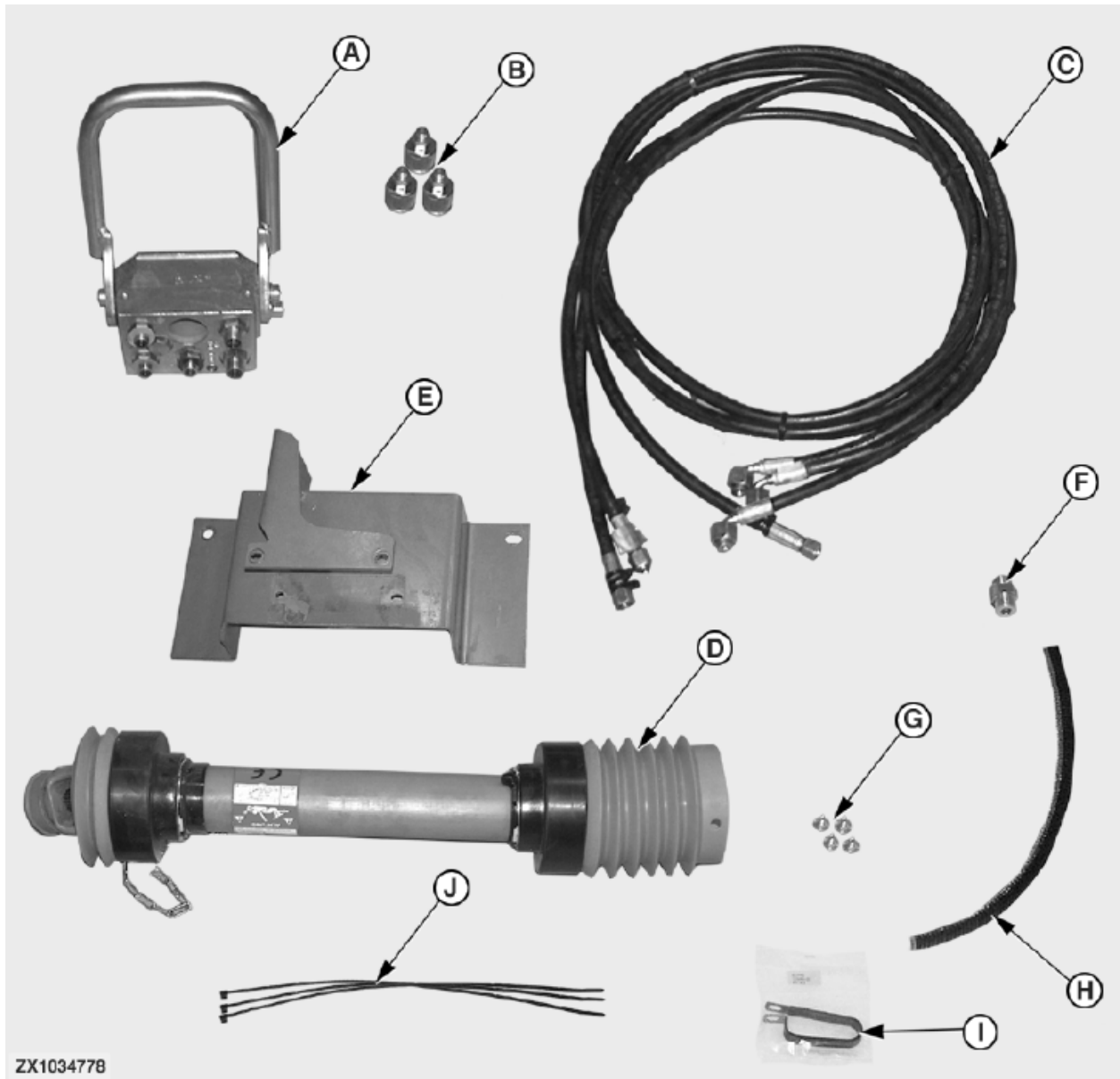
RCI MAKES NO REPRESENTATIONS OR WARRANTIES OF ANY KIND, EXPRESSED OR IMPLIED (INCLUDING THE IMPLIED WARRANTIES OF MERCHANTABILITY AND FITNESS FOR PARTICULAR PURPOSE), EXCEPT AS EXPRESSLY STATED IN THIS WARRANTY STATEMENT.

RCI WARRANTY DOES NOT INCLUDE:

1. Transportation to the selling dealer's business location or, at the option of the Original Retail Purchaser, the cost of a service call.
2. Freight costs above standard shipping costs for the replacement parts.
3. Labor to make the repair or installation of the failed component.
4. Used equipment.
5. Components covered by their own non-RCI warranties, such as tires and trade accessories.
6. Repairs or adjustments caused by: improper use; non-intended use; failure to follow recommended maintenance procedures; use of unauthorized attachments; accident or other casualty.
7. Liability for incidental or consequential damages of any type, including, but not limited to lost profits or expenses of acquiring replacement equipment or damage to machines to which the attachment is installed.

No agent, employee, or representative of RCI has any authority to bind RCI to any warranty except as specifically set forth herein. Any of these limitations excluded by local law shall be deemed deleted from this warranty; all other terms will continue to apply.

Contents of Bundle



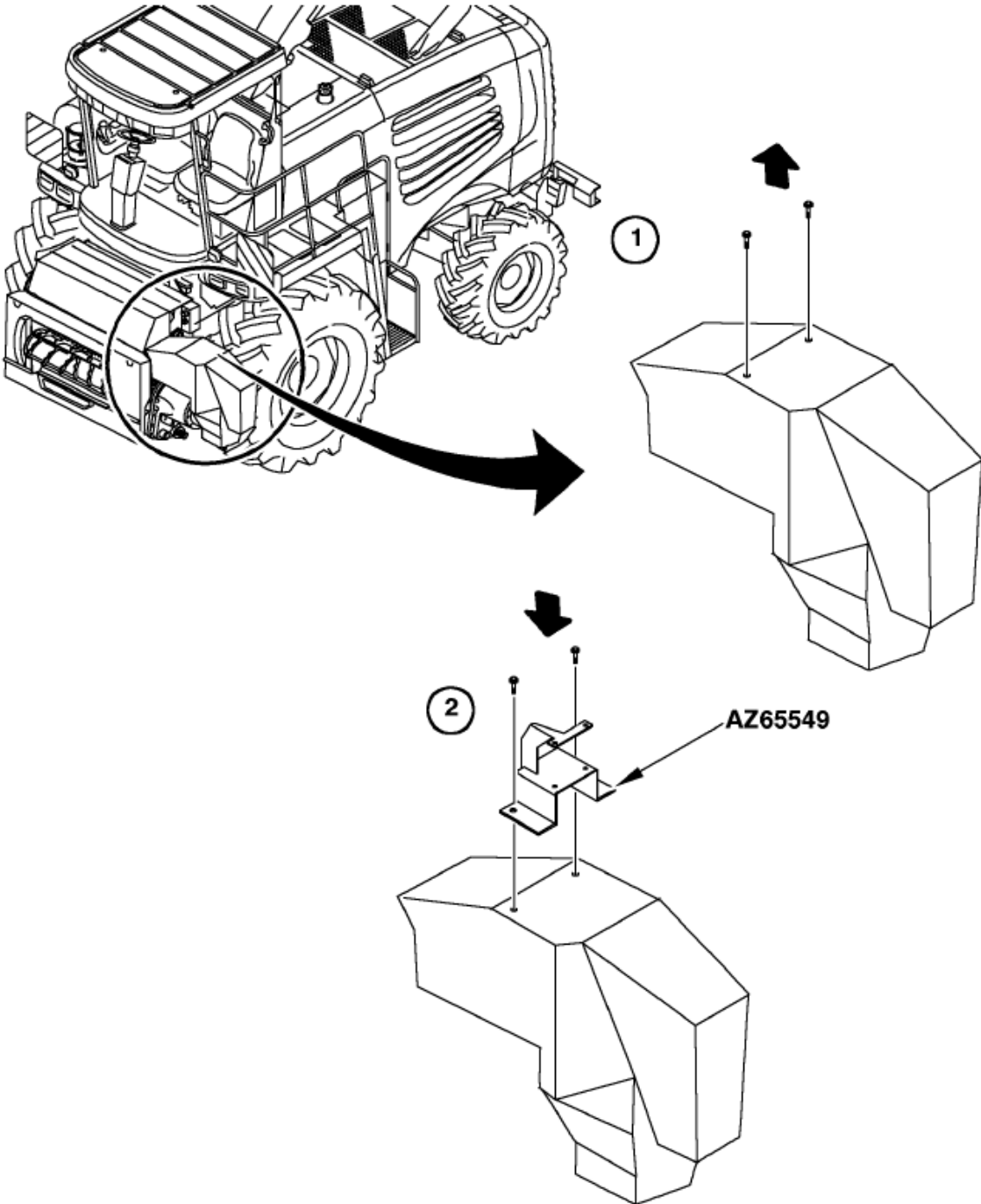
- | | | | |
|----------------------------------|--|---------------------------------|---------------------------|
| A—AH208229 Multiple coupler (1x) | C—AZ50935 Hydraulic hose (3x) | E—AZ65549 Bracket (1x) | I—AH77869 Clamp (1x) |
| B—AZ19455 Quick coupler (3x) | D—AZ59204 Universal-jointed shaft (1x) | F—38H1162 Fitting (1x) | J—R44302 Cable strap (3x) |
| | | G—19M7865 Screw (4x) | |
| | | H—Z55784 Protective edging (1x) | |

IMPORTANT: Before opening hydraulic components, thoroughly clean surrounding area. Absolute cleanliness is a must!

NOTE: After installation has been completed inspect system for leaks and check oil level.

All part numbers shown are John Deere part numbers. Spare parts are available through the Deere Parts System.

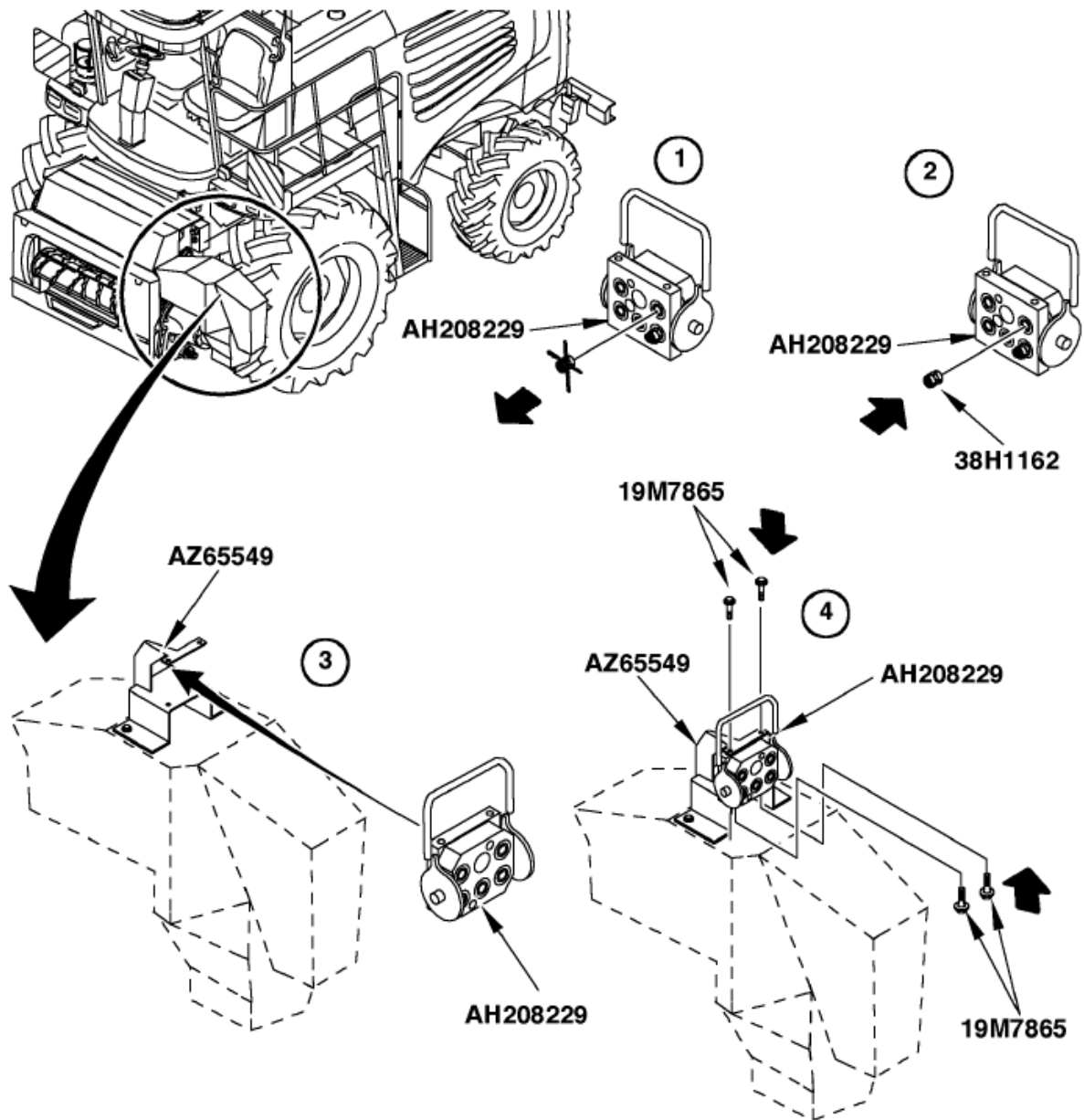
Install Bracket AZ65549



ZX1034779

Install bracket AZ65549 on the shield as shown.

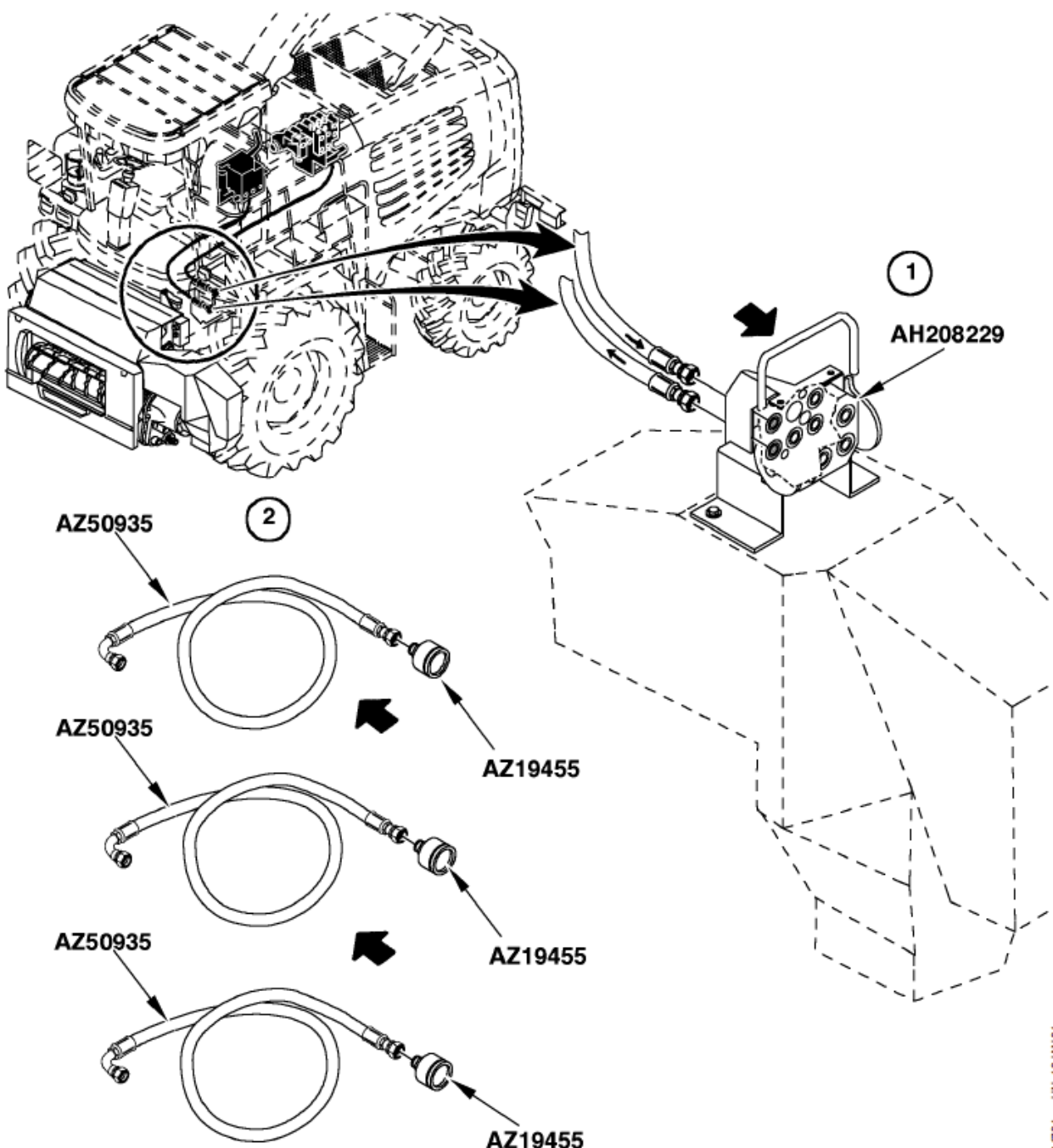
Install Multiple Coupler AH208229



ZX1034780

First replace the fitting at top right with part 38H1162.
Now use the 19M7865 screws to install the AH208229
multiple coupler on the AZ65549 bracket as shown.

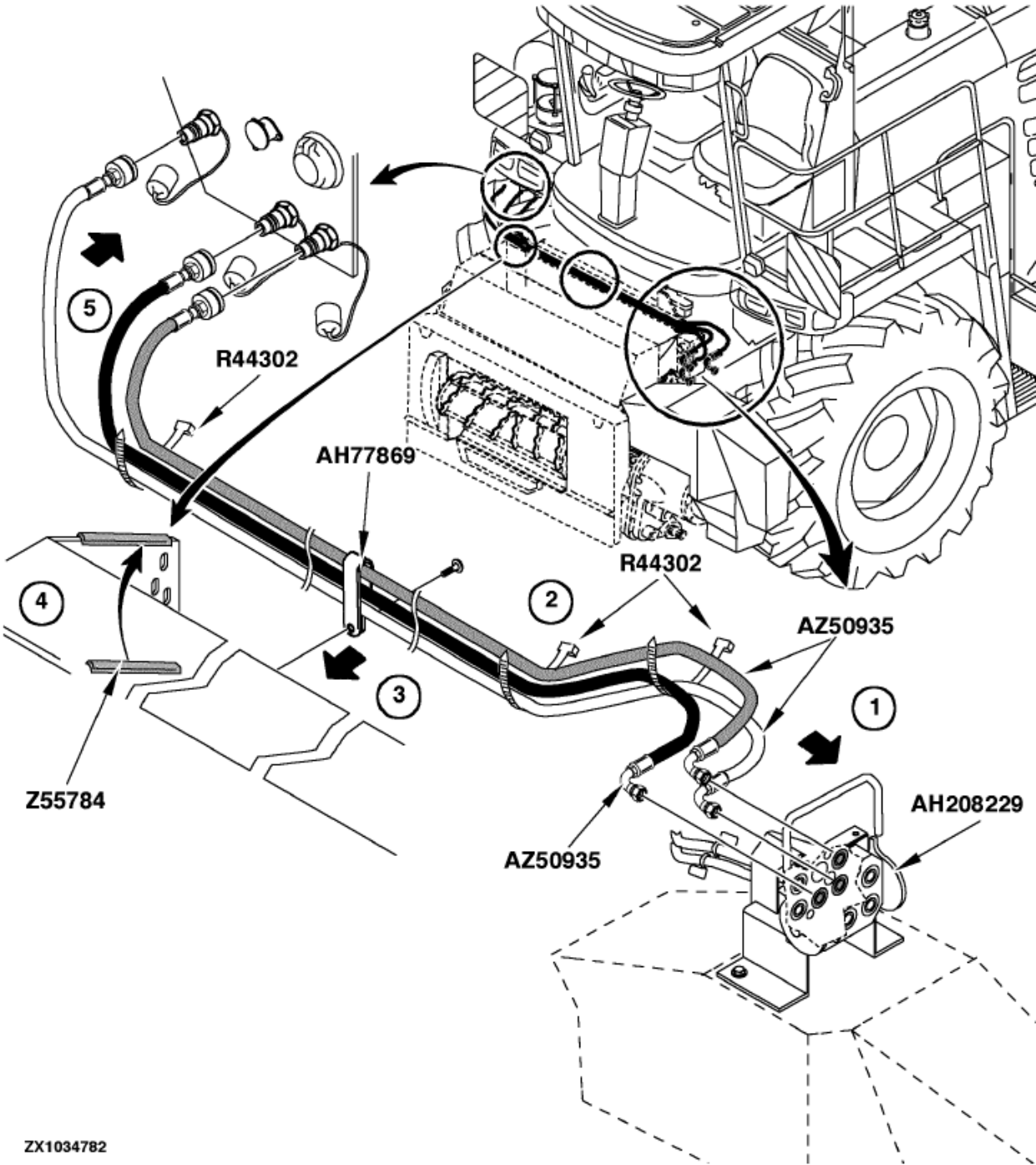
Install Hoses, Part 1



ZX1034781

Install the AZ19455 quick couplers on the AZ50935 hoses as shown.

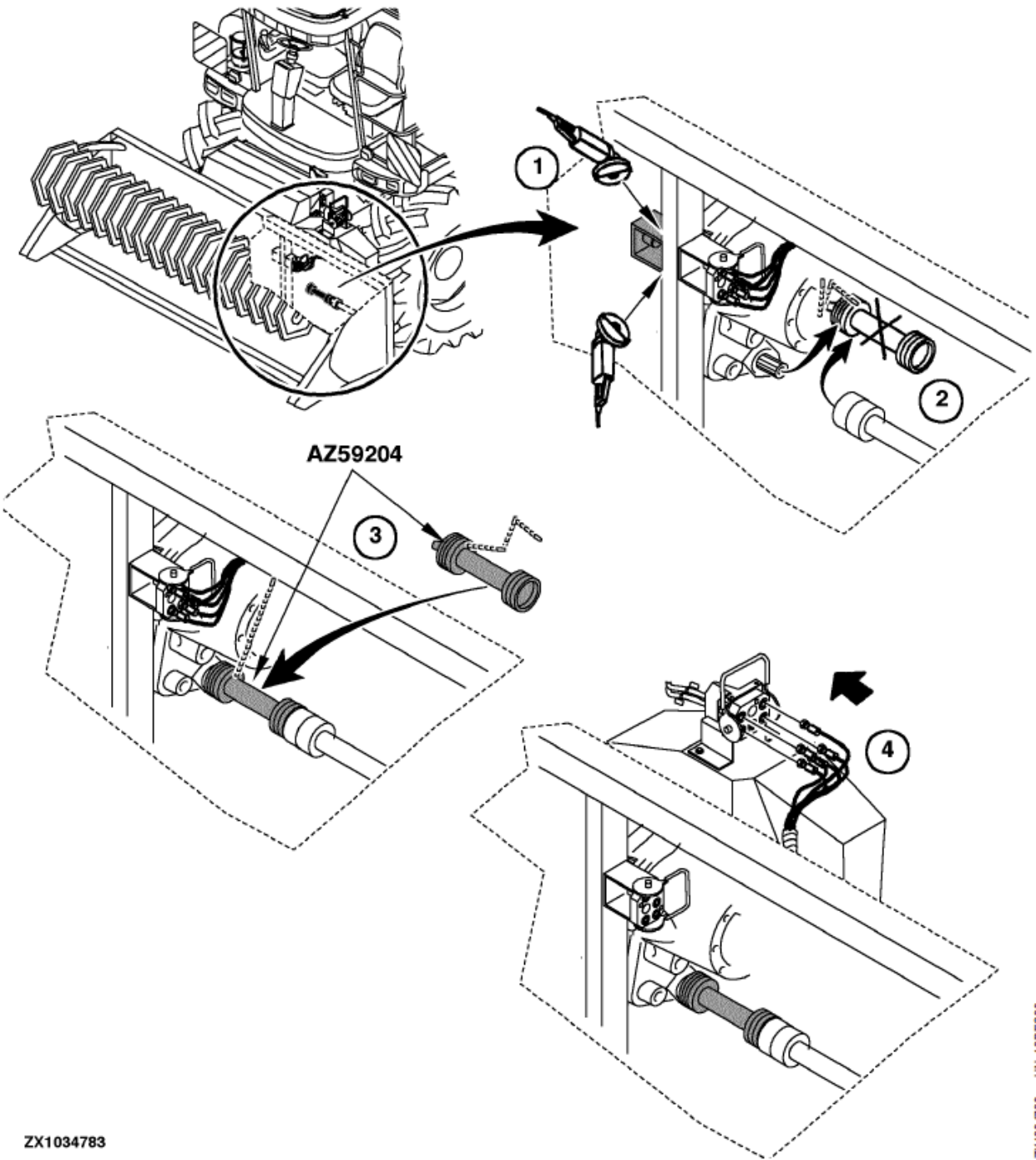
Install Hoses, Part 2



ZX1034782

Route and attach the AZ50935 hoses as shown.

Cut the Bracket for the Universal-Jointed Shaft Off the Cutting Platform



ZX1034783

Cut the bracket for the universal-jointed shaft off the cutting platform and install the new universal-jointed shaft AZ59204.