

8A Bumper Attachment 7000-Series and 8000-Series SPFH

3 January 2018



The 8A Bumper Attachment is available from RCI Engineering for the John Deere 7000- and 8000-Series Self-Propelled Forage Harvesters.

Intended Use:

The 8A is intended to be used to provide a bumper as well as ballast for the SPFH to allow for ease of installation of larger headers. The weight rack section of the bumper can be removed and the bumper plate re-installed to provide protection for the back of the machine.

IMPORTANT:

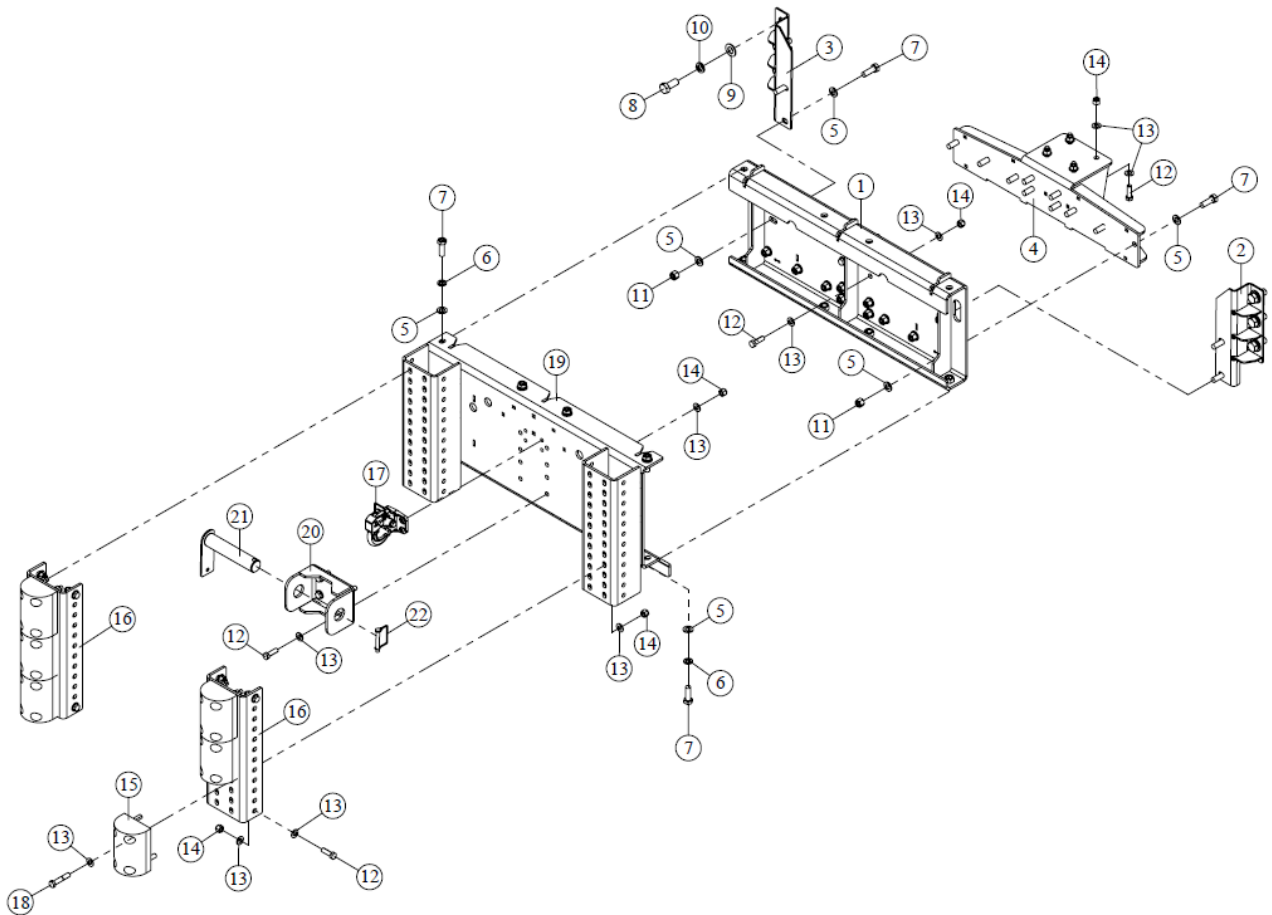
When using the weight rack, the factory weights are not needed on the SPFH. The bumper provides for room for traditional tractor suitcase weights for all of the ballast needed.

Product Highlights:

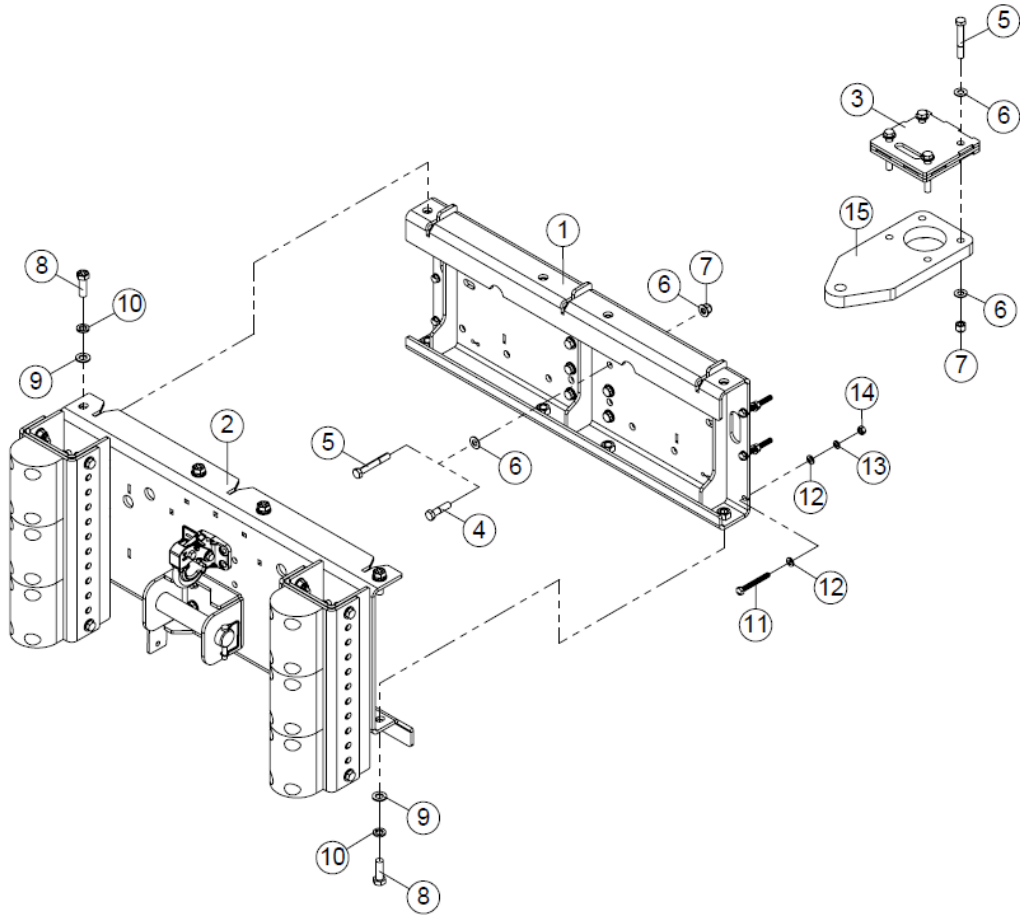
- Overall package allows for more cost-effective ballast solution than factory weights and a custom-built bumper for each customer.
- Modular design allows for removal of the weight rack and reinstallation of the bumper when using hay pickups.
 - Removing extra ballast reduces compaction in hay fields and increases yield.
 - Removing extra ballast improves fuel efficiency, especially in transport.
 - Removing extra ballast during harvesting improves harvest capacity when the engine is under full load.

- Fork lift pockets and lift point locations are provided for ease of removal of weight rack and bumper with forks or lift chains for ease of reconfiguration when switching between hay pickups and corn heads.
- Adjustable bumper height allows for ground clearance from approximately 12” to 21”, depending on tire options of the SPFH.
- Tow bar mount at rear of unit for ease of connection of tow straps and/or chains.
- A pintle hitch is provided for quick chain and strap attachment. It is NOT INTENDED to be used for pulling trailers.
- Multiple mounting locations for hitch plate of SPFH. Important: Always follow towing recommendations of the SPFH. Refer to John Deere 8000-Series SPFH Operator Manual for more information.
- Weight rack fits traditional John Deere tractor suitcase weights.
- Clearance is provided for access to rear SCV and electrical connection of SPFH for auxiliary functions.

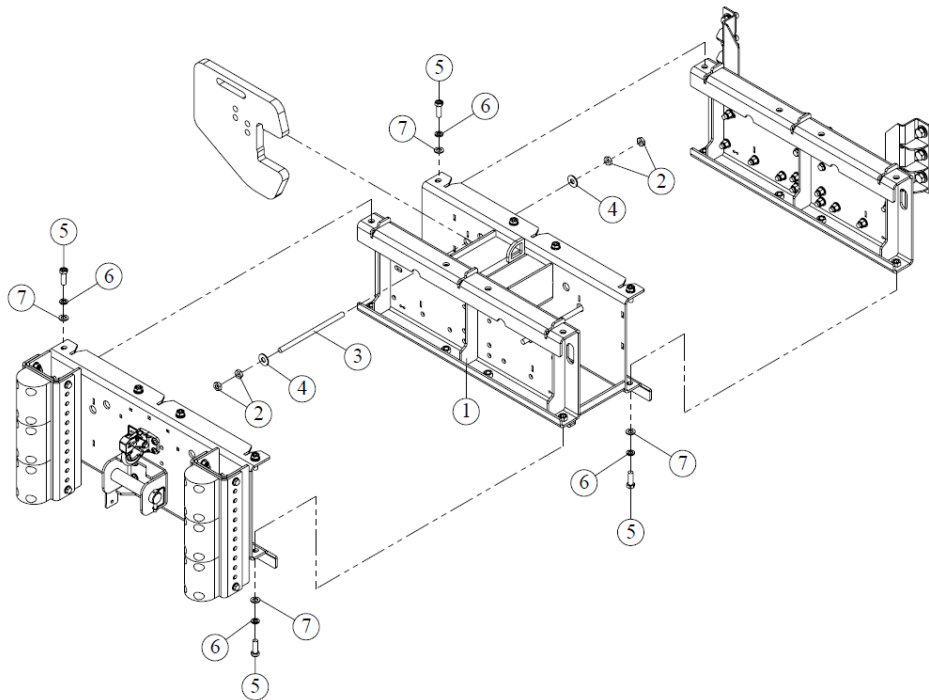
Base Bundle RC125061 – 8000 SPFH



Base Bundle RC125070 – 7000 SPFH



Standard Weight Rack RC125049



2017 Changes

For MY2017, a pintle hitch is added to the rear of the bumper for ease of attachment for chains and straps. It is NOT INTENDED to be used for pulling trailers. Additional pads are also added for increased coverage of the rear of the bumper when lowering the adjustable plates.

2018 Changes

For MY2018, the bundle is changed to fit the 7000-Series as well as the 8000-Series SPFH.

If installing on a 7000-Series equipped WITH an inoculant / water tank under the rear of the machine, also order quantity 4 of rear weight plates (Z48791). Ballast the machine to recommendations in the operator manual of the self-propelled forage harvester accounting for the weight of the attachment.

8000-SPFH Ballasting Recommendations

IMPORTANT: Proper ballasting will keep efficiency of the four-wheel drive system and steering function when braking.

IMPORTANT: Always put same amount of weight plates inside left and right hand weight carrier when using the Standard Weight Rack. Refer to 7000-Series or 8000-Series SPFH Operator Manual for information regarding weight plate installation if a weight rack is not needed.

IMPORTANT: Do not overload rear tires, especially when header is removed.

IMPORTANT: Special field conditions may require higher ballasting to keep efficiency of the four-wheel drive system and steering function.

Depending on machine/header type configurations, ballasting differs. To properly ballast the machine, ALWAYS refer to the relevant ballasting chart, then install required amount of weight.

8000-Series Weight Cost Comparison

Setup	John Deere Solution	RCI Solution						Cost of Bumper
		Bumper Base	Weight Rack	Weight Rack Cost	Weights	Weight Cost	RCI Solution Total	
Empty	\$ (1,173)	\$ 3,091	No	-	-	-	\$ 3,091	\$ 1,918
4 Set Equiv	\$ 0	\$ 3,091	No	-	-	-	\$ 3,091	\$ 1,918
7 Set Equiv	\$ 835	\$ 3,091	No	-	-	-	\$ 3,091	\$ 1,083
10 Set Equiv	\$ 1,678	\$ 3,091	Yes	\$ 1,569	2	\$ 228	\$ 4,888	\$ 2,037
12 Set Equiv	\$ 2,245	\$ 3,091	Yes	\$ 1,569	8	\$ 228	\$ 4,888	\$ 1,470
14 Set Equiv	\$ 2,807	\$ 3,091	Yes	\$ 1,569	12	\$ 228	\$ 4,888	\$ 908

Note: All prices based on 2016 list price and do not include freight or installation.

Cost Summary

The net cost of the bumper system compared to factory weights is approximately \$2,000, or less (based on parts cost).

If the bumper were to prevent one incident of damage to the rear door, it would save the replacement of the rear door. The cost of the AXE41827 rear door is \$2,556.41 (list). Therefore, the prevention of damage to a truck radiator or rear door of the SPFH will more than cover the cost of the bumper and weight rack.

8000-Series Field Operation Ballasting Chart

The following ballasting charts for field operations are only recommendations. Keep in mind to ballast the machine so that the four-wheel drive system and steering function are ensured. Install required amount of weight plates or suitcase-type weights, depending on the style of bumper installed.

IMPORTANT: When using only the base bundle, the charts indicate the number of plates to be used in the weight pockets of the SPFH. When using the weight rack at the bumper, the charts indicate the total weight to be added to the weight rack of the attachment.

Base Bundle (Base bumper only; no weight rack) RC125061

	Ballasting Chart—Field Operation—Moderate Conditions				
Harvesting Unit	8100, 8200—Nb of weight plates on each side	8300—Nb of weight plates on each side	8400, 8500—Nb of weight plates on each side	8600—Nb of weight plates on each side	8700, 8800—Nb of weight plates on each side
639 Pickup	0	0	0	0	0
649 Pickup	0	0	0	0	0
659 Pickup	0	0	0	0	0
480 ProfiCut	0	0	NR	NR	NR
620 ProfiCut	NA	NA	0	0	0
445+/676 RHU	3	2	NR	NR	NR
460+/778 RHU	6	3	8400: 3	3	NR
			8500: 3		
475+/770+ RHU	NA	NA	8400: NA	6	6
			8500: 6		
345+/696+ RHU	3	2	NR	NR	NR
360+/698+ RHU	6	3	3	3	NR
375+/690+ RHU	NR	NR	6	6	6

Notes:

- A. Values indicate number of plates to be used on the base machine.
- B. These plates are available through the John Deere parts system.
- C. NR = Not Recommended
- D. NA = Not Applicable
- E. RHU = Rotary Harvesting Unit
- F. Suitcase weights are not compatible with the Base Bundle. This is a bundle for a bumper only.
- G. All configurations without header support wheel option.

Base Bundle (Continued) (Base bumper only; no weight rack) RC125061

Ballasting Chart—Field Operation—Hilly/Wet Conditions					
Harvesting Unit	8100, 8200—Nb of weight plates on each side	8300—Nb of weight plates on each side	8400, 8500—Nb of weight plates on each side	8600—Nb of weight plates on each side	8700, 8800—Nb of weight plates on each side
639 Pickup	0	0	0	0	0
649 Pickup	0	0	0	0	0
659 Pickup	0	0	0	0	0
480 ProfiCut	0	0	NR	NR	NR
620 ProfiCut	NA	NA	0	0	0
445+/676 RHU	4	4	NR	NR	NR
460+/778 RHU	10	6	6	6	NR
475+/770+ RHU	NA	NA	8400: NA	10	10
			8500: 10		
345+/696+ RHU	6	4	NR	NR	NR
360+/698+ RHU	10	6	6	6	NR
375+/690+ RHU	NA	NR	10	10	10

Notes:

- A. Values indicate number of plates to be used on the base machine.
- B. These plates are available through the John Deere parts system.
- C. NR = Not Recommended
- D. NA = Not Applicable
- E. RHU = Rotary Harvesting Unit
- F. Suitcase weights are not compatible with the Base Bundle. This is a bundle for a bumper only.
- G. All configurations without header support wheel option.

Standard Weight Rack

RC125049

	Ballasting Chart—Field Operation—Moderate Conditions				
Harvesting Unit	8100, 8200— total weight to add	8300— total weight to add	8400, 8500— total weight to add	8600— total weight to add	8700, 8800— weight to add
639 Pickup	Remove	Remove	Remove	Remove	Remove
649 Pickup	Remove	Remove	Remove	Remove	Remove
659 Pickup	Remove	Remove	Remove	Remove	Remove
480 ProfiCut	Remove	Remove	NR	NR	NR
620 ProfiCut	NA	NA	Remove	Remove	Remove
445+/676 RHU	0	0	NR	NR	NR
460+/778 RHU	350	350	0	0	NR
475+/770+ RHU	NA	NA	8400:NA	350	350
			8500: 350		
345+/696+ RHU	350	0	NR	NR	NR
360+/698+ RHU	350	0	0	0	NR
375+/690+ RHU	NA	NA	350	350	350

Notes:

- A. Values indicate total weight to be added to Weight Rack.
- B. No plates are to be used in the base machine.
- C. Suitcase weights to be evenly distributed on the weight rack.
- D. NR = Not Recommended
- E. NA = Not Applicable
- F. RHU = Rotary Harvesting Unit
- G. Remove = Remove weight rack and install bumper plate on base machine (no weights needed and weight rack to be removed to reduce weight)
- H. All configurations without header support wheel option.

Standard Weight Rack (Continued)

RC125049

	Ballasting Chart—Field Operation—Hilly/Wet Conditions				
Harvesting Unit	8100, 8200— total weight to add	8300— total weight to add	8400, 8500— total weight to add	8600— total weight to add	8700, 8800— weight to add
639 Pickup	Remove	Remove	Remove	Remove	Remove
649 Pickup	Remove	Remove	Remove	Remove	Remove
659 Pickup	NR	NR	Remove	Remove	Remove
480 ProfiCut	Remove	Remove	NR	NR	NR
620 ProfiCut	NA	NA	Remove	Remove	Remove
445+/676 RHU	350	350	NR	NR	NR
460+/778 RHU	875	875	350	350	NR
475+/770+ RHU	NA	NA	8400: NR	875	875
			8500: 875		
345+/696+ RHU	875	350	NR	NR	NR
360+/698+ RHU	875	350	8400: NR	NR	NR
			8500: NR		
375+/690+ RHU	NA	NA	875	875	875

Notes:

- A. Values indicate total weight to be added to Weight Rack.
- B. No plates are to be used in the base machine.
- C. Suitcase weights to be evenly distributed on the weight rack.
- D. NR = Not Recommended
- E. NA = Not Applicable
- F. RHU = Rotary Harvesting Unit
- G. Remove = Remove weight rack and install bumper plate on base machine (no weights needed and weight rack to be removed to reduce weight)
- H. All configurations without header support wheel option.

Specifications – Base Weight:

RC125061	Bundle, 8000-Series SPFH Base	583 lbs (265 kg)
RC125070	Bundle, 7000-Series SPFH Base	525 lbs (238 kg)
RC125049	Rack, Standard Weight	400 lbs (180 kg)
	Combined Weight	Approx. 985 lbs (445 kg)

Ordering Information:

RC125061	Bundle, 8000-Series SPFH Base	Qty 1
RC125070	Bundle, 7000-Series SPFH Base	Qty 1
RC125049	Rack, Standard Weight	Qty 1

Estimated Installation Times:

Base Bundle Installation	1.5 hours
Weight Rack Initial Installation	1 hour
Field change between weight rack and bumper	0.5 hour

All times are dependent on use of appropriate tools and technician experience. No modifications to the SPFH are required for the installation, only the removal of a few components at the rear mount plate.

Note: For the 7000-Series, the installation is identical to the 8000-Series except that the two angle supports at the front face of the base of the bundle and the lower support are not used.

All parts, service and warranty matters are handled by RCI Engineering LLC.

Visit www.RCIengineering.com for more product information, ordering, and pictures of this bundle.

RCI Engineering LLC
208 River Knoll Drive
Mayville, WI 53050
info@rciengineering.com

P: 920-387-9804
P: 888-472-4552 (Toll Free)
F: 920-387-9806
www.rciengineering.com



RCI Engineering LLC also offers an assortment of attachments for other John Deere hay and forage equipment to improve performance, increase efficiency and to increase machine capabilities in different crop and field conditions.